

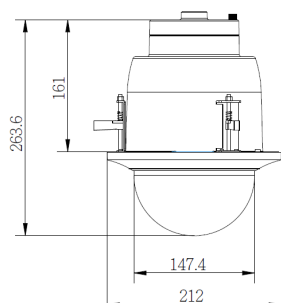
# 2MP Low Light In Ceiling PTZ Plenum Dome Camera SY-ICDPTZ30-S-LLU

The Synectics Low Light In Ceiling PTZ Camera matches great picture performance with an ultra-small in ceiling plenum housing.



The Synectics 2MP Full HD multi-stream PTZ dome IP camera is equipped with a Sony Exmor™ progressive scan CMOS sensor providing outstanding video resolution, and the capability to stream H.264 and H.265 simultaneously.

The in ceiling dome provides 1080p HD 50/60fps streaming or true WDR at 25/30fps. Coupled with its 30x AF zoom lens, it is capable of viewing subjects over long distances with ease. It has an ultra-small in ceiling mount that makes it the ideal choice where multiple views are required.



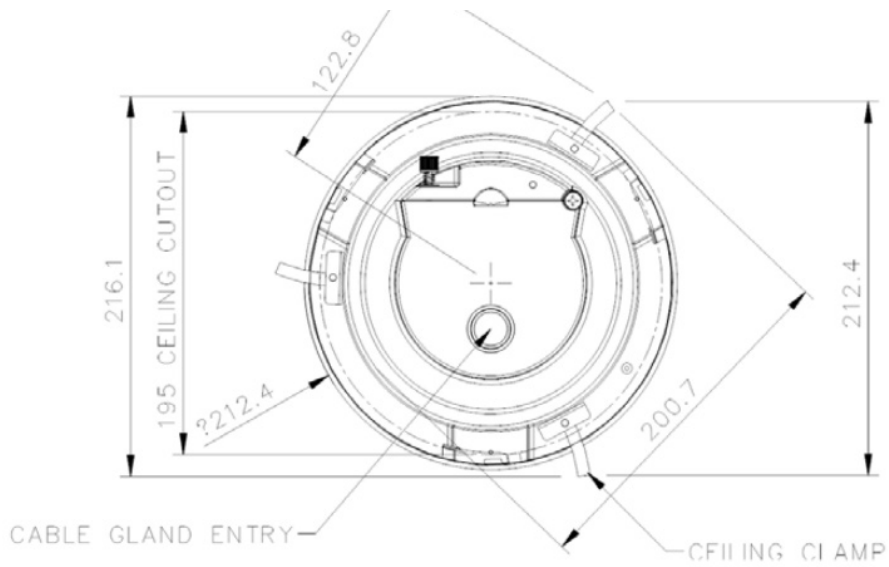
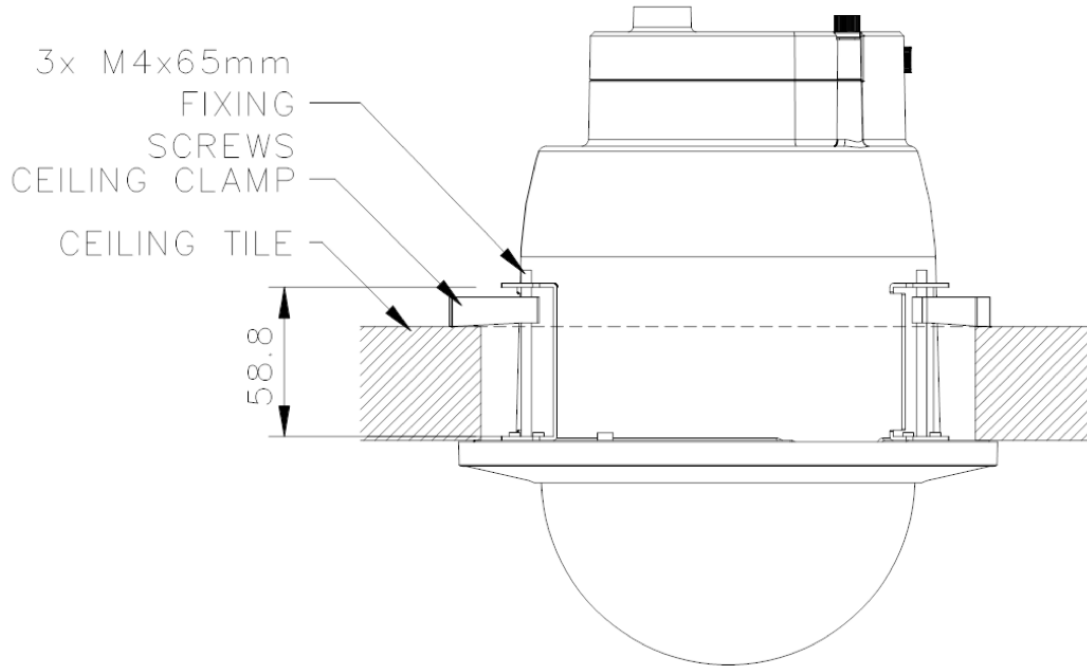

# Specifications

CAMERA		SY-ICDPTZ30-S-LLU
Image Sensor	1/2.8" Sony Progressive CMOS	
Effective Pixels	1945 (H) x 1097 (V)	
Resolution	H.265 / H.264 / MJPEG Full HD 1080p / SXGA / HD 720P / XGA / SVGA / D1 / VGA / CIF / QVGA	
Min Illumination Color	0.01 Lux	
Min Illumination B&W	0.002 Lux	
Shutter Speed	1 ~ 1/10000 sec	
LENS		
Lens Mount	N/A	
Lens	30x AF / 4.3-129 mm	
FOV	59° (Wide); 2.4° (Tele)	
F Number	F1.6 (Wide)	
P Iris	Y	
Focus Mode	Auto, Push AF, Manual, Zoom Trigger	
Digital Zoom	10x	
PTZ OPTIONS		
Pan Travel	360° Endless	
Tilt Travel	-10° ~ 190°	
Manual Speed	0.1° ~ 90° / Sec	
Presets	256	
Preset Accuracy	0.225°	
Preset Speed	Pan: 9° ~ 400° / Sec, Tilt: 7° ~ 300° / Sec.	
Sequence	8	
Auto Pan	4	
Cruise	8	
Proportional Pan /Tilt	On / Off (Pan and tilt speed proportional to zoom ratio)	
Home Function	Preset / Sequence / Auto Pan / Cruise	
Auto Flip	Mechanical / Off	
Image Rotation	Mirror / 0° / 90° / 180° / 270°	
STREAMING OPTIONS		
Compression	H.265 / H.264 / MJPEG	
ONVIF Profile	G / M / S / T support	
Streaming Support / Encoding Channels	Up to Quad Stream support	
Stream	NTSC: H.265/H.264 1080p @60fps + H.265/H.264 720p @30fps PAL: H.265/H.264 1080p @50fps + H.265/H.264 1280 X 1024 @25fps or NTSC: H.265/H.264 1080p @30fps + H.265/H.264 1080p @30fps PAL: H.265/H.264 1080p @25fps + H.265/H.264 1080p @25fps	
Stream 1 Max Resolution and Max FPS	NTSC: H.265/H.264 1080p @60fps PAL: H.265/H.264 1080p @50fps	
Stream 2 Max when Stream 1 is set to Max Resolution and FPS	NTSC: H.265/H.264 720p @30fps PAL: H.265/H.264 1280 X 1024 @25fps	
Stream 1 "Standard" Resolution and FPS	NTSC: H.265/H.264 1080p @30fps PAL: H.265/H.264 1080p @25fps	
Stream 2 Max when Stream 1 is set to "Standard" Resolution and FPS	NTSC: H.265/H.264 1080p @30fps PAL: H.265/H.264 1080p @25fps	
Min/Max Bitrate	64 / 10240 (kbps)	
Max Number Unicast Streams	16	

OPERATION	
ICR	Auto / On / Off / Smart
LED Numbers	N/A
LED Distance	N/A
White Balance* <sup>1</sup>	Auto / ATW / Smart / One Push / Smart One Push / Manual
NR	2D / 3D / Color
BLC	Y
WDR	TrueWDR (Up to 120 dB)
DIS / EIS	Y
Motion Detection	On / Off / Schedule
Privacy Mask Type	8 Colors / 5 sets
Tamper Alarm	On / Off / Schedule
I/O Connector	4 of 9 Pin Terminal Block
Audio In	G.711 / G.726 / AAC / LPCM
Audio Out	G.711 / G.726 / AAC / LPCM
Audio Sample Rate	ACC: 48000 / Other: 8000
Analog Out	Y
Heater	N/A
Fan	N/A
Alarm Input	4 Sets / 5V 10kΩ Pull Up
Alarm Output	2 Set / Relay output, max. 120mA DC 400V / 120mA AC 250V
Event Notification	HTTP / FTP / SMTP
Synectics Intelligent Edge Recording* <sup>1</sup>	Y
Onboard Storage	Up to 60 Seconds (Synectics Intelligent Edge Recording only)
SD Card Support	micro SD / SDHC / SDXC Card Support
Ethernet Connector	RJ-45 Solid
Power Connector	3 Pin Terminal Block
Protocol	ARP, PPPoE, IPv4/v6, ICMP, IGMP, QoS, TCP, UDP, DHCP, UPnP, SNMP, SMTP, RTP, RTSP, HTTP, HTTPS, FTP, NTP, DDNS, ONVIF G, ONVIF M, ONVIF S, ONVIF T
Security	User Authentication / HTTPS / IP Filter / IEEE 802.1X
ENVIRONMENTAL	
Operating Temperature	-25°C ~ 50°C (-13°F ~ 122°F)
Storage Temperature	-20°C ~ 70°C (-4°F ~ 158°F)
Humidity	10% ~ 90%, No Condensation
Vandal Resistant	N/A
IP Rating	N/A
GENERAL	
Power* <sup>2</sup>	AC24V / PoE(802.3at) / DC12V
Power Priority 1	AC24V
Power Priority 2	PoE
Power Priority 3	DC12V
Power Failover	AC to DC / DC to AC PoE to DC / DC to PoE AC PoE combination not supported
PoE Classification	Class 4
Power Consumption (Total Unit)	Max: 25.4W
Dimensions	ø 212 x 264 mm / ø 8.35 x 10.36"
Weight	2.3 kg (5.11 lb)
Certification	CE / FCC

NOTE: \*1 Features are related to the firmware version. Please contact your Synectics representative for more details. \*2 If multiple power inputs are to be used simultaneously on the camera (such as AC power + PoE or DC power + PoE) all power supplies must be isolated power supplies.

**Diagrams**



Cut hole size: 195 mm

Cut hole size: 195 mm