

4K IP In Ceiling Plenum Dome Camera

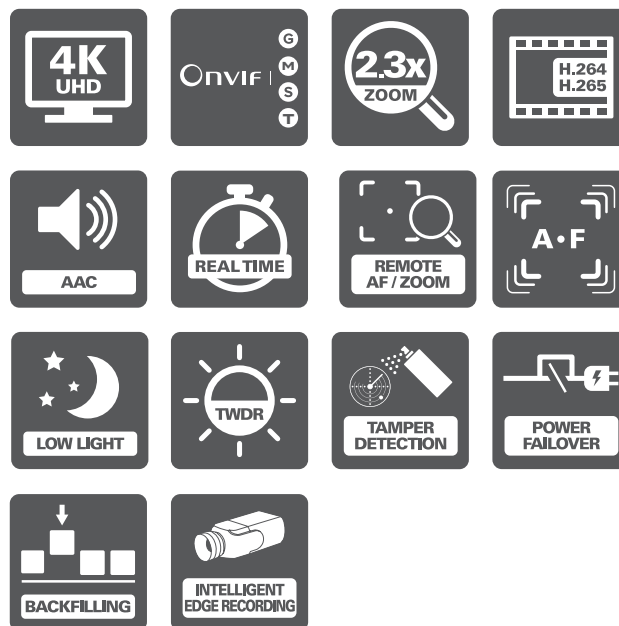
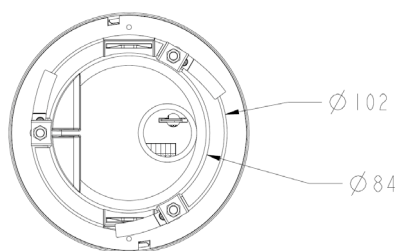
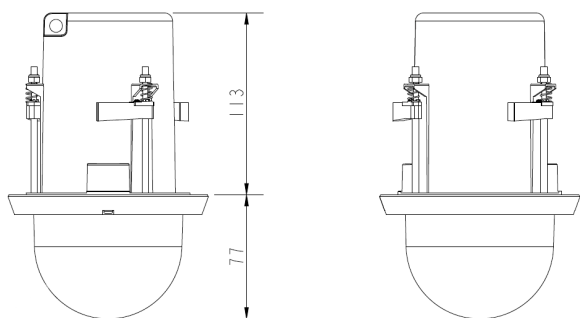
SY-ICTD2.3-S-LLU

The Synectics In Ceiling Dome camera matches great performance with ultra compact aesthetics.



The Synectics 4K (8MP/UHD) IP multi-stream fixed dome camera is equipped with a Sony Exmor progressive scan CMOS sensor, providing outstanding video resolution and the capability to stream H.264 and H.265 simultaneously.

The in-ceiling dome provides real-time 4K 30fps simultaneously with a second HD stream. A 2.3x lens and ONVIF Profile G, M, S and T compliance ensure easy setup.



Specifications

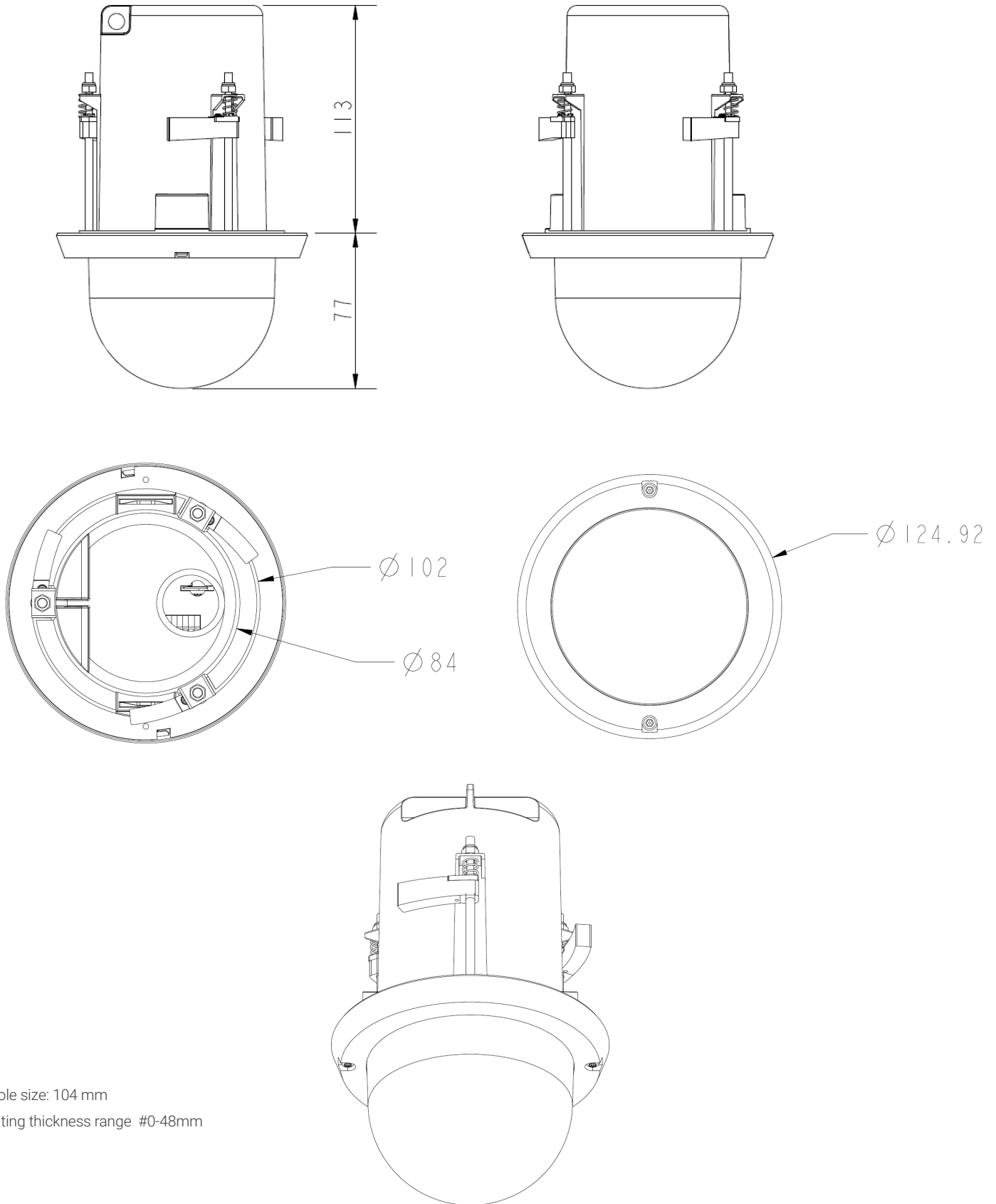
CAMERA		SYICTD2.3-S-LLU
Image Sensor		4K Sony 1/1.8" Progressive CMOS
Effective Pixels		3864 (H) x 2160 (V)
Resolution		H.265/H.264 - 3840 X 2160 4K (UHD) / 1080P / SXGA / HD 720P / XGA / qHD / SVGA / D1 / VGA / CIF / QVGA MJPEG - 1080P / SXGA / HD 720P / XGA / qHD / SVGA / D1 / VGA / CIF / QVGA
Min Illumination Color		0.04 Lux
Min Illumination B&W		0.002 Lux
Shutter Speed		1 ~ 1/10000 sec
LENS		
Lens Mount		N/A
Lens		2.3x AF / 4.5-10 mm
FOV		HFOV: 101.7° (Wide), 46° (Tele) VFOV: 53.9° (Wide), 25.8° (Tele)
F Number		F1.7 (Wide): F2.6 (Tele) ±5%
P Iris		Y
Focus Mode		Auto, Push AF, Zoom Trigger AF, Manual
Digital Zoom		10x
PTZ OPTIONS		
Pan Travel		N/A
Tilt Travel		N/A
Manual Speed		N/A
Presets		N/A
Preset Accuracy		N/A
Preset Speed		N/A
Sequence		N/A
Auto Pan		N/A
Cruise		N/A
Proportional Pan /Tilt		N/A
Home Function		N/A
Auto Flip		N/A
Image Rotation		Mirror / 0° / 90° / 180° / 270°
STREAMING OPTIONS		
Compression		H.265 / H.264 / MJPEG
ONVIF Profile		G / M / S / T support
Streaming Support / Encoding Channels		Up to Quad Stream support
Stream*		NTSC: H.265/H.264 4K @30fps + H.265/H.264/MJPEG 1080p @30fps PAL: H.265/H.264 4K @25fps + H.265/H.264/MJPEG 1080p @25fps
Min/Max Bitrate		64 / 20480 (kbps)
Max Number Unicast Streams		17

* MJPEG streaming also supported, maximum resolution is 1280 x 1024

OPERATION	
ICR	Auto / On / Off / Smart
LED Numbers	N/A
LED Distance	N/A
White Balance*1	Auto / ATW / Smart / One Push / Smart One Push / Manual
NR	3D / 2D / Color
BLC	On / Off
WDR	True WDR (120dB)
DIS / EIS	N/A
Motion Detection	On / Off / Schedule
Privacy Mask Type	8 Colors / 5 Sets
Tamper Alarm	On / Off / Schedule
Audio Type	Line in / Line Out, 5 of 9 Pin Terminal Block
Audio In	G.711 / G.726 / AAC / LPCM
Audio Out	G.711 / G.726 / AAC / LPCM
Audio Sample Rate	AAC: 48000 / Others: 8000
Analog Out	Y (Requires optional part SY-IPCA-BNC =>Rev.2)
Heater	N/A
Fan	N/A
Alarm Input	1 Set, 5V 10kΩ Pull Up
Alarm Output	1 Set, Photo Relay Output 300V DC / AC
Event Notification	HTTP / FTP / SMTP
Synectics Intelligent Edge Recording*1	Y
Onboard Storage	Up to 60 Seconds (Synectics Intelligent Edge Recording only)
SD Card Support	micro SD / SDHC / SDXC Card Support
Ethernet Connector	RJ-45 Cable
Power Connector	2 Pin Terminal Block
I/O Connector	4 of 9 Pin Terminal Block
Protocol	ARP, PPPoE, IPv4/v6, ICMP, IGMP, QoS, TCP, UDP, DHCP, UPnP, SNMP, SMTP, RTP, RTSP, HTTP, HTTPS, FTP, NTP, DDNS, ONVIF M, ONVIF S, ONVIF G, ONVIF T
Security	User Authentication / HTTPS / IP Filter / IEEE 802.1X
ENVIRONMENTAL	
Operating Temperature	-30°C ~ 55°C (-22°F ~ 131°F)
Storage Temperature	-20°C ~ 70°C (-4°F ~ 158°F)
Humidity	10% ~ 90%, No Condensation
Vandal Resistant	N/A
IP Rating	N/A
GENERAL	
Power*2	PoE (802.3af) / DC12V / AC24V
Power Priority 1	PoE
Power Priority 2	DC
Power Priority 3	AC
Power Failover	PoE to DC/AC / DC/AC to PoE
PoE Classification	Class 0
Power Consumption (Total Unit)	POE: 9.08W, DC12V: 8.91W, AC24V: 9.2W
Dimensions	ø 124.9 x 190.3 mm (ø 4.92" x 7.49")
Weight	700 g (1.54 lb)
Certification	CE / FCC / UKCA
REPLACEMENT PARTS	
SY-ICMD-CB	Replacement Clear Bubble (No Trim Ring)
SY-ICMD-SB	Replacement Smoked Bubble (No Trim Ring)
SY-ICMD-TR	Replacement Trim Ring (No Bubble)
SY-ICTD-BB	Replacement SY-ICTD back box only. No camera, no bubble

NOTE: *1 Features are related to the firmware version. Please contact your Synectics representative for more details. *2 If multiple power inputs are to be used simultaneously on the camera (such as AC power + PoE or DC power + PoE) all power supplies must be isolated power supplies.

Diagrams



Cut hole size: 104 mm
Mounting thickness range #0-48mm