

2MP IP Vandal Resistant IR Dome Camera

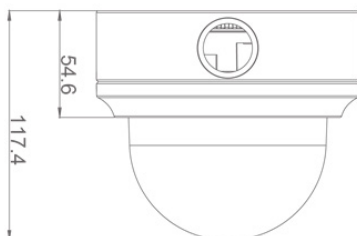
SY-VRD3-IRS-LLP / SY-VRD2.4-IRS-LLP*1

The Synectics Vandal Resistant IR Dome Camera matches great picture performance in the most extreme low light areas with compact aesthetics.



The Synectics 2MP Full HD multi-stream dome IP camera is equipped with a Sony Exmor™ progressive scan CMOS sensor providing outstanding video resolution, and the capability to stream H.264 and H.265 simultaneously.

This fixed IR dome provides full 1080p HD 50/60fps streaming or true WDR at 25/30fps, along with a 3x AF zoom lens (optional 2.4x available). ONVIF Profile S and G compliance ensures easy set up while IR LEDs, and ratings of IP66 and IK10 guarantee optimum performance under challenging conditions.



HD 1080P	REAL TIME	ONVIF S	3x ZOOM
60 FPS	IR 40m	ONVIF G	2.4x ZOOM
H.265	TWDR	IK10	BACKFILLING
H.264	A·F	IP66 RATED	POWER FAILOVER
TAMPER DETECTION	REMOTE AF / ZOOM	AAC	INTELLIGENT EDGE RECORDING

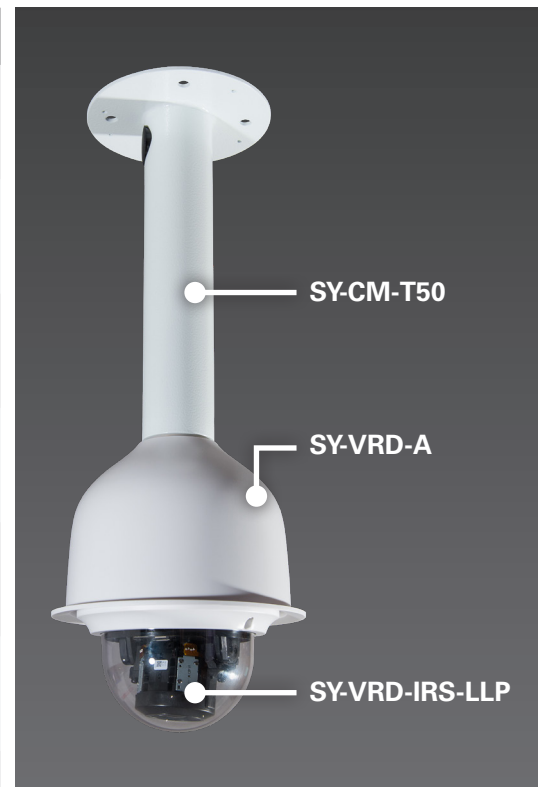
Specifications

CAMERA		SY-VRD3-IRS-LLP / SY-VRD2.4-IRS-LLP ¹	
Image Sensor	2MP Sony 1/2.8" Progressive CMOS		
Effective Pixels	1945 (H) x 1097 (V)		
Resolution	H.265/H.264/MJPEG- Full HD 1080p / SXGA / HD 720P / XGA / SVGA / D1 / VGA / CIF / QVGA		
Min Illumination Color	0.02 Lux		
Min Illumination B&W	0.001 Lux (0.0 Lux IR LED ON)		
Shutter Speed	1 ~ 1/10000 sec		
LENS		SY-VRD3-IRS-LLP	SY-VRD2.4-IRS-LLP ¹
Lens Mount	N/A		
Lens	3x AF / 3-9mm	2.4x AF / 9-22mm	
FOV	110° (Wide); 36° (Tele)	34.1° (Wide); 14.4° (Tele)	
F Number	F1.3 (Wide), F2.2 (Tele)	F1.6 (Wide), F2.3 (Tele)	
P Iris	Y		
Focus Mode	Push AF, Zoom Trigger AF, Manual		
Digital Zoom	10x		
PTZ OPTIONS			
Pan Travel	N/A		
Tilt Travel	N/A		
Manual Speed	N/A		
Presets	N/A		
Preset Accuracy	N/A		
Preset Speed	N/A		
Sequence	N/A		
Auto Pan	N/A		
Cruise	N/A		
Proportional Pan / Tilt	N/A		
Home Function	N/A		
Auto Flip	N/A		
Image Rotation	Mirror / 0° / 90° / 180° / 270°		
STREAMING OPTIONS			
Compression	H.265 / H.264		
ONVIF Profile	S / G support		
Stream	NTSC: H.265/H.264/MJPEG 1080p @60fps + H.265/H.264/MJPEG 640 X 360 @60fps PAL: H.265/H.264/MJPEG 1080p @50fps + H.265/H.264/MJPEG 640 X 360 @50fps or NTSC: H.265/H.264/MJPEG 1080p @30fps + H.265/H.264/MJPEG 1080p @30fps PAL: H.265/H.264/MJPEG 1080p @25fps + H.265/H.264/MJPEG 1080p @25fps		
Stream 1 Max Resolution and Max FPS	NTSC: H.265/H.264/MJPEG 1080p @60fps PAL: H.265/H.264/MJPEG 1080p @50fps		
Stream 2 Max when Stream 1 is set to Max Resolution and FPS	NTSC: H.265/H.264/MJPEG 640 X 360 @60fps PAL: H.265/H.264/MJPEG 640 X 360 @50fps		
Stream 1 "Standard" Resolution and FPS	NTSC: H.265/H.264/MJPEG 1080p @30fps PAL: H.265/H.264/MJPEG 1080p @25fps		
Stream 2 Max when Stream 1 is set to "Standard" Resolution and FPS	NTSC: H.265/H.264/MJPEG 1080p @30fps PAL: H.265/H.264/MJPEG 1080p @25fps		
Min/Max Bitrate	64 / 10240 (kbps)		
Max Number Unicast Streams	15		

OPERATION	
ICR	Auto / On / Off / Smart
LED Numbers	8
LED Distance	Up to 40 m
White Balance*2	Auto / ATW / Smart / One Push / Smart One Push / Manual
NR	3D / 2D / Color
BLC	On / Off
WDR	True WDR (120dB)
DIS / EIS	N/A
Motion Detection	On / Off / Schedule
Privacy Mask Type	8 Colors / 5 Sets
Tamper Alarm	On / Off / Schedule
Audio Type	Line in / Line Out, 5 of 9 Pin Terminal Block
Audio In	G.711 / G.726 / AAC / LPCM
Audio Out	G.711 / G.726 / AAC / LPCM
Audio Sample Rate	AAC: 48000 / Others: 8000
Analog Out	Y (Requires optional part SY-IPCA-BNC =>Rev.1)
Heater	Y
Fan	N/A
Alarm Input	1 Set, 5V 10kΩ Pull Up
Alarm Output	1 Set, Photo Relay Output 300V DC / AC
Event Notification	HTTP / FTP / SMTP
Synectics Intelligent Edge Recording*2	Y
Onboard Storage	Up to 60 Seconds (Synectics Intelligent Edge Recording only)
SD Card Support	microSDXC 128GB Support
Ethernet Connector	RJ-45 Cable
Power Connector	2 Pin Terminal Block
I/O Connector	4 of 9 Pin Terminal Block
Protocol	ARP, PPPoE, IPv4/v6, ICMP, IGMP, QoS, TCP, UDP, DHCP, UPnP, SNMP, SMTP, RTP, RTSP, HTTP, HTTPS, FTP, NTP, DDNS, ONVIF S, ONVIF G
Security	User Authentication / HTTPS / IP Filter / IEEE 802.1X
ENVIRONMENTAL	
Operating Temperature	-55°C~55°C (-67°F~131°F)
Storage Temperature	-20°C ~ 70°C (-4°F ~ 158°F)
Humidity	10% ~ 90%, No Condensation
Vandal Resistant	IK10
IP Rating	IP66
GENERAL	
Power*3	AC24V / PoE (802.3af) / DC12V
Power Priority 1	AC24V
Power Priority 2	PoE
Power Priority 3	DC12V
Power Failover	AC to DC / DC to AC / PoE to DC / DC to PoE / AC PoE combination not supported
PoE Classification	Class 0
Power Consumption (Total Unit)	Max: 14.3W
Dimensions	Ø 133.8 x 117.4 mm / Ø 5.2 x 4.6"
Weight	760 g (1.68 lb)
Certification	CE / FCC
REPLACEMENT PARTS	
SY-VRD-CC	Clear bubble and trim ring
SY-VRD-SC	Smoked bubble and trim ring
SY-VRD-BB	Back housing section only (no bubble, no trim ring, no camera module)

NOTE: *1 Special order- Minimum Order Quantities apply *2 Features are related to the firmware version. Please contact your Synectics representative for more details. *3 If multiple power inputs are to be used simultaneously on the camera (such as AC power + PoE or DC power + PoE) all power supplies must be isolated power supplies.

PRODUCT	Description	Indoor / Internal Only	Outdoor / External*4
SYVRD-ICM	In Ceiling Mount (Flush Mount Adaptor)	✓	
SYVRD-WM	Indoor Plastic Wall Mount for SYVRD Series	✓	
SYVRD-A	Adaptor to allow Wall / Pendant and Universal connector Mounts		✓
SY-CM-P	Standard Wall / Pendant Mount		✓
SY-CM-MP	Mini Wall / Pendant Mount		✓
SY-CM-T25	25cm Pole	✓	
SY-CM-T50	50cm Pole	✓	
SY-CM-T100	100cm Pole	✓	
SY-CM-15NTP	Synectics to 15NTP Universal adaptor		✓
SY-CM-WMB	Wall Mount Box		✓
SY-CM-CWM	Corner Mount Box		✓
SY-CM-PMB	Pole Mount Box		✓



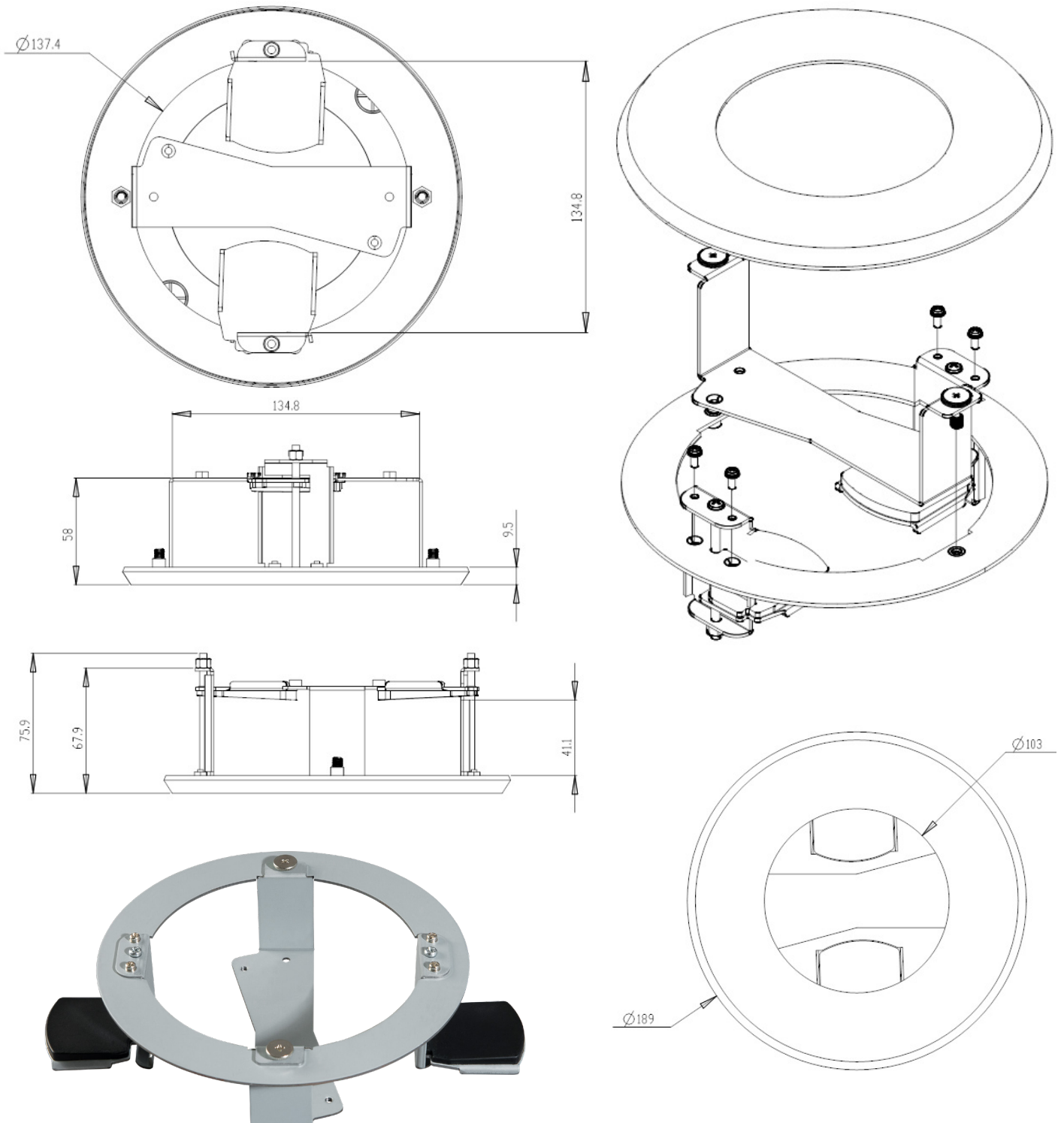
*4 Camera and accessories can be used for internal configuration.

The following are required in combination with other accessories for mounting requirements.

PRODUCT	SYVRD-A	SY-CM-P	SY-CM-MP	SY-CM-T25	SY-CM-T50	SY-CM-T100	SY-CM-15NTP	SY-CM-WMB	SY-CM-CWM	SY-CM-PMB
Wall Mounting	Required	✓	✓					✓	✓	✓
Pole Mounting	Required			✓	✓	✓				
Non-Synectics Bracketry	Required						Required			

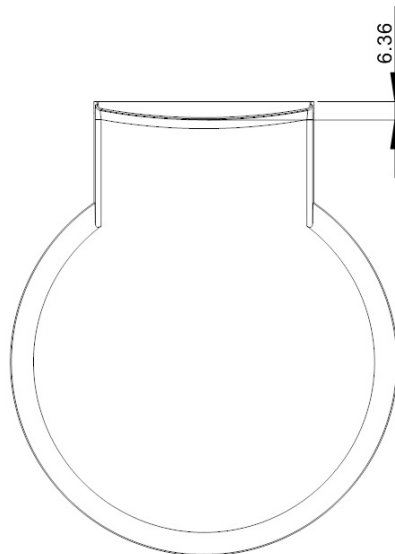
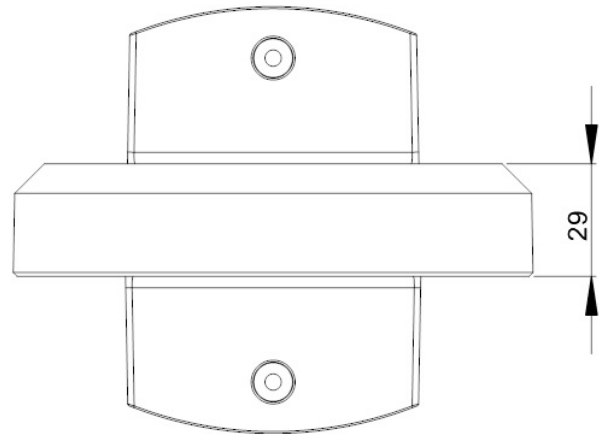
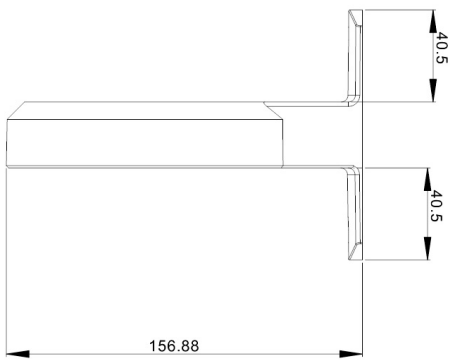
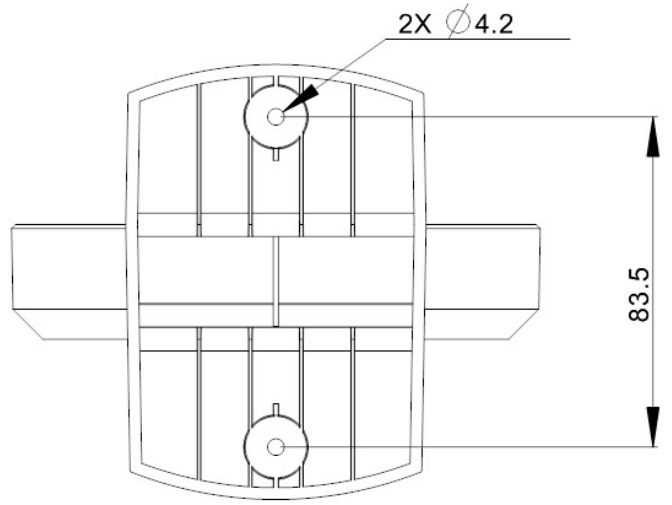
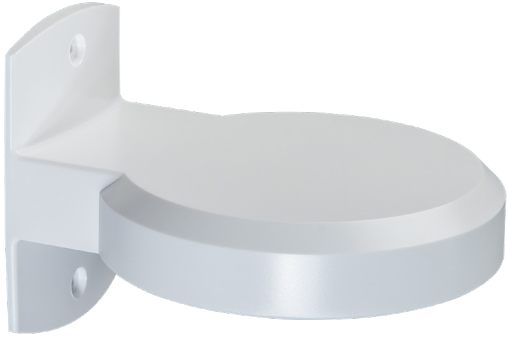
Accessories

IN CEILING MOUNT — SY-VRD-ICM

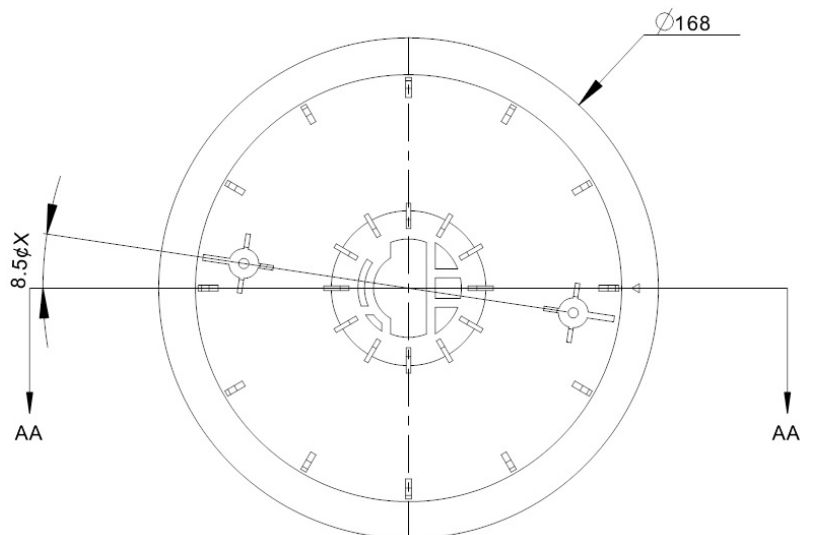
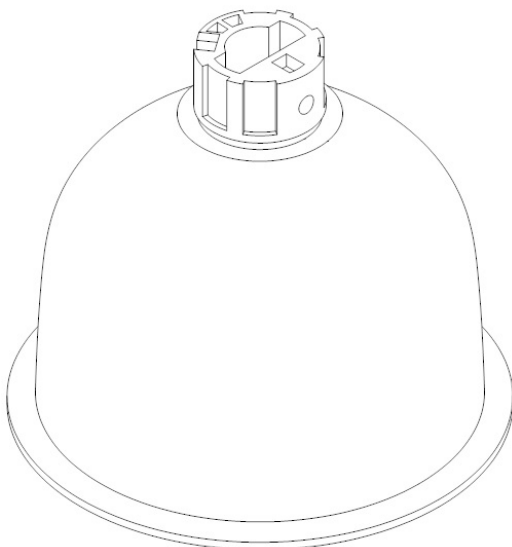
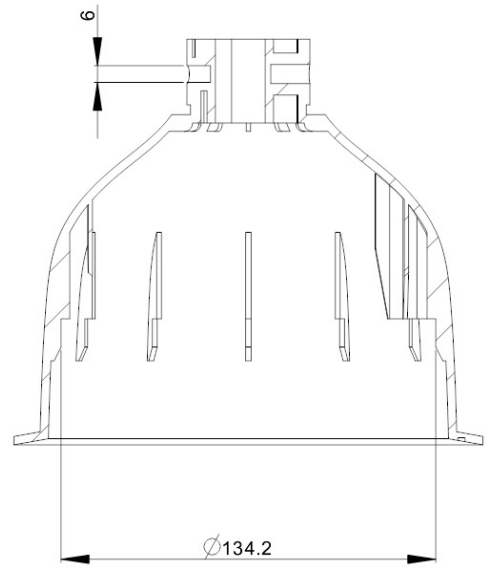
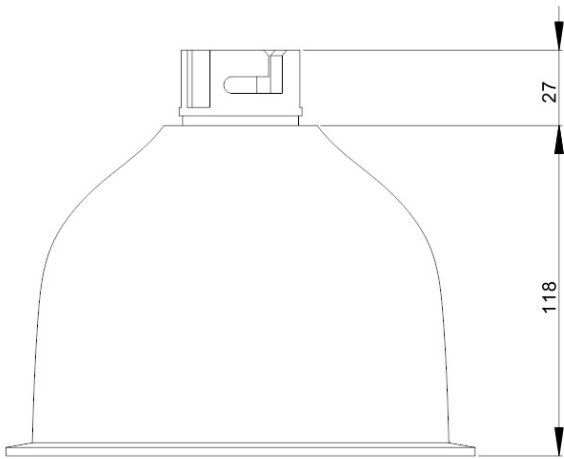


Cut hole size: 160 mm

WALL MOUNT — SY-VRD-WM



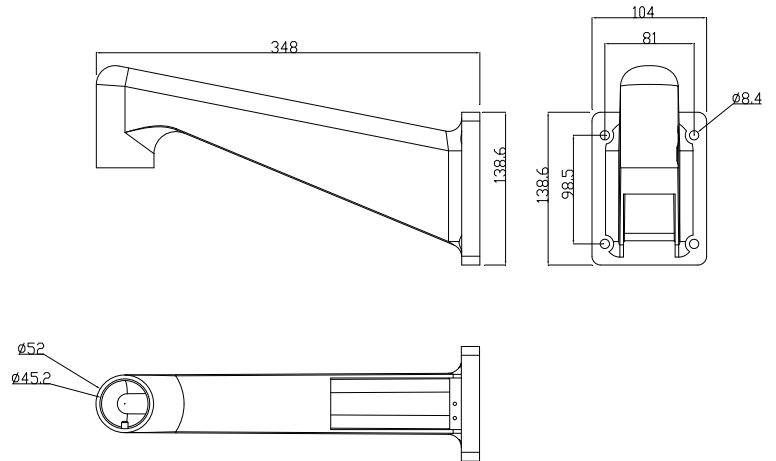
ADAPTOR — SY-VRD-A



STANDARD WALL MOUNT — SY-CM-P

Dimensions (L x W x D) 348 x 104 x 138.6 mm / 13.70 x 4.09 x 5.45"

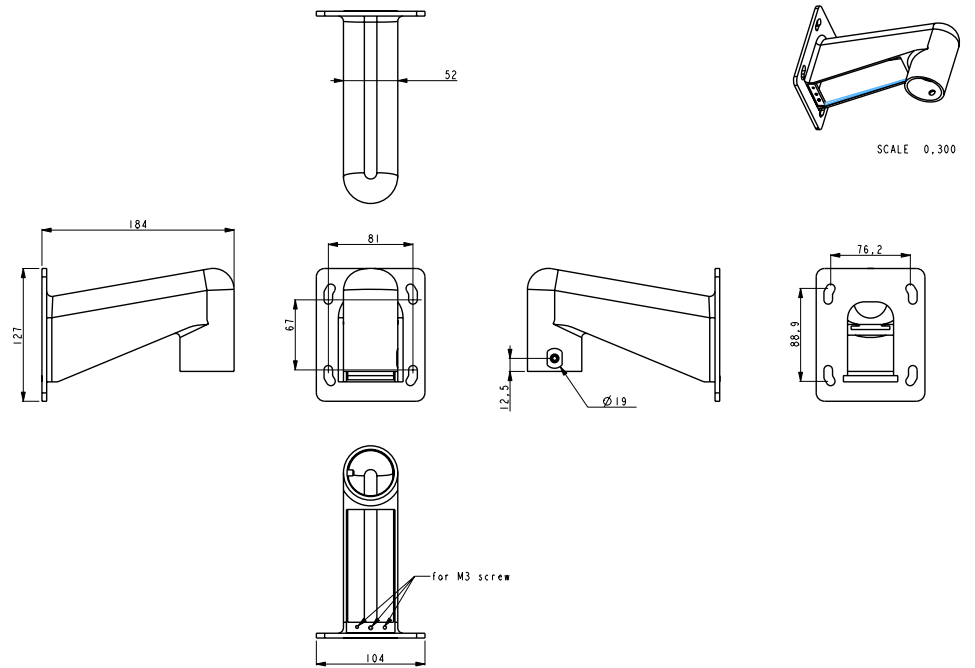
Weight 1.5 kg / 3.3 lbs



MINI WALL MOUNT — SY-CM-MP

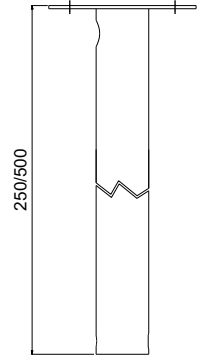
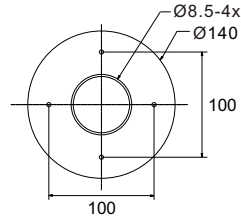
Dimensions (L x W x D) 184 x 104 x 127 mm / 7.24" x 4.09 x 5"

Weight 0.6 kg / 1.32 lbs



STRAIGHT TUBE — SY-CM-T25 / T50 / T100

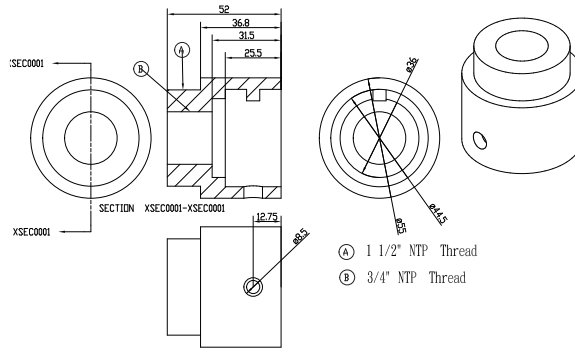
Height	250 mm / 9.8 " 500 mm / 19.7 " 1000 mm / 39.37 "
Diameter	50 mm / 2 "
Weight	1.0 kg (2.2 lbs) / 1.8 kg (4.0 lbs)



Unit: mm

1.5" NPT MOUNT ADAPTOR COMPATIBLE WITH PELCO CAMERA POLES — SY-CM-15NPT

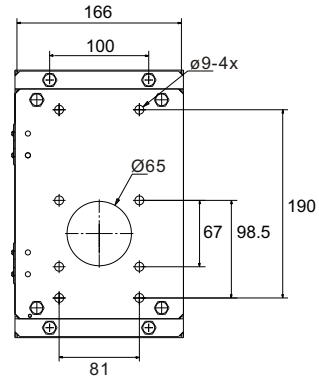
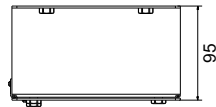
Dimensions	Φ55 x 52 mm / 2.16 x 2.04 "
------------	-----------------------------



WALL MOUNT BOX — SY-CM-WMB

Dimensions (L x W x D) 270 x 166 x 95 mm / 10.62 x 6.53 x 3.74"

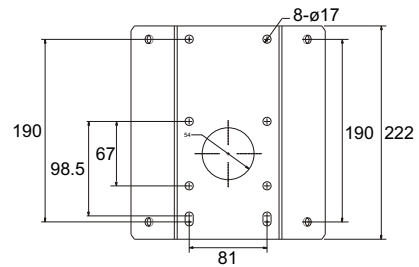
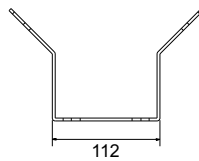
Weight 2.2 kg / 4.9 lbs



CORNER MOUNT BOX — SY-CM-CWM

Dimensions (L x W x D) 222 x 204 x 117 mm / 8.74 x 8.03 x 4.60"

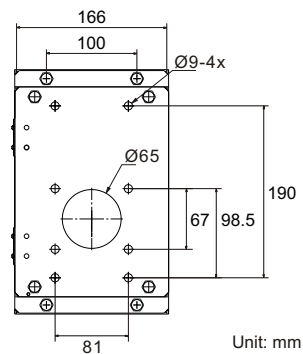
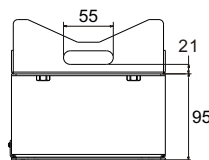
Weight 2.0 kg / 4.4 lbs



POLE MOUNT BOX — SY-CM-PMB

Dimensions (L x W x D) 270 x 166 x 155 mm / 10.62 x 6.53 x 6.10"

Weight 3.2 kg / 7.1 lbs



Unit: mm